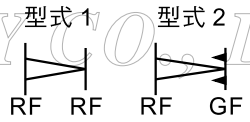
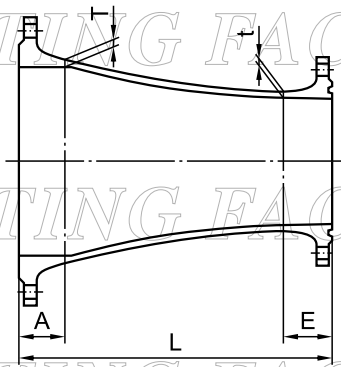




凸緣縮管



單位：mm

標稱管徑		管厚		各部尺度			質量 (Kg)				
D	d	T	t	A	E	L	型式 1		型式 2		
							7.5K	7.5K	10K	16K	20K
100	75	8.5	8.5	50	50	400	15.5	15.4	12.1	14.1	14.7
150	100	9.0	8.5	55	50	405	21.1	21.0	18.5	21.9	23.4
200	100	11.0	10.0	60	50	410	27.3	27.2	24.1	28.5	30.1
150	150	11.0	11.0	60	55	415	32.6	32.4	30.5	35.7	38.2
250	100	12.0	10.0	70	50	520	38.7	38.6	36.0	43.0	46.4
150	250	12.0	11.0	70	55	525	45.0	44.8	43.4	51.3	55.6
200	200	12.0	11.0	70	60	530	51.0	50.8	48.7	57.6	62.1
300	100	12.5	10.0	80	50	530	46.5	46.3	41.7	51.3	55.0
150	300	12.5	11.0	80	55	535	52.7	52.5	49.1	59.5	64.1
200	200	12.5	11.0	80	60	540	58.5	58.3	54.2	65.6	70.4
250	250	12.5	12.0	80	70	550	68.2	67.8	64.3	78.4	84.9
350	150	13.0	11.0	80	55	535	62.2	62.0	55.9	70.7	75.8
200	200	13.0	11.0	80	60	540	67.8	67.6	60.8	76.6	82.0
250	250	13.0	12.0	80	70	550	77.3	76.9	70.8	89.2	96.3
300	300	13.0	12.5	80	80	560	86.1	85.7	77.5	98.4	106.0
400	150	14.0	11.0	90	55	645	79.4	79.2	76.2	94.9	103.0
200	400	14.0	11.0	90	60	650	86.0	85.7	82.0	102.0	110.0
250	250	14.0	12.0	90	70	660	96.7	96.3	93.2	116.0	125.0
300	300	14.0	12.5	90	80	670	107.0	106.0	101.0	126.0	136.0
350	350	14.0	13.0	90	80	670	118.0	118.0	110.0	139.0	150.0
450	200	14.5	11.0	100	60	660	101.0	101.0	95.7	121.0	131.0
250	450	14.5	12.0	100	70	670	111.0	111.0	107.0	135.0	146.0
300	300	14.5	12.5	100	80	680	121.0	121.0	114.0	145.0	157.0
350	350	14.5	13.0	100	80	680	132.0	132.0	123.0	158.0	170.0
400	400	14.5	14.0	100	90	690	146.0	145.0	139.0	178.0	193.0
500	250	15.0	12.0	110	70	680	125.0	124.0	120.0	154.0	166.0
300	500	15.0	12.5	110	80	690	134.0	134.0	127.0	163.0	176.0
350	350	15.0	13.0	110	80	690	145.0	145.0	135.0	176.0	189.0
400	400	15.0	14.0	110	90	700	158.0	157.0	151.0	196.0	212.0
450	450	15.0	14.5	110	100	710	174.0	173.0	166.0	217.0	234.0
600	300	16.0	12.5	120	80	700	162.0	161.0	159.0	203.0	218.0
350	600	16.0	13.0	120	80	700	172.0	172.0	166.0	215.0	230.0
400	400	16.0	14.0	120	90	710	184.0	184.0	181.0	234.0	252.0
450	450	16.0	14.5	120	100	720	199.0	199.0	195.0	254.0	273.0
500	500	16.0	15.0	120	110	730	213.0	212.0	209.0	273.0	293.0
700	400	17.0	14.0	130	90	920	253.0	252.0	252.0	315.0	366.0
450	700	17.0	14.5	130	100	930	271.0	270.0	269.0	337.0	390.0
500	500	17.0	15.0	130	110	940	287.0	286.0	285.0	359.0	413.0
600	600	17.0	16.0	130	120	950	320.0	320.0	322.0	404.0	460.0
800	450	18.0	14.5	140	100	940	319.0	318.0	316.0	403.0	492.0
500	800	18.0	15.0	140	110	950	334.0	333.0	331.0	423.0	514.0
600	600	18.0	16.0	140	120	960	366.0	365.0	367.0	467.0	559.0
700	700	18.0	17.0	140	130	970	406.0	405.0	409.0	519.0	645.0
900	500	19.0	15.0	150	110	960	391.0	390.0	381.0	485.0	594.0
600	900	19.0	16.0	150	120	970	420.0	419.0	415.0	526.0	637.0
700	700	19.0	17.0	150	130	980	458.0	457.0	454.0	576.0	721.0
800	800	19.0	18.0	150	140	990	506.0	505.0	502.0	642.0	823.0
1000	600	20.0	16.0	170	120	990	483.0	483.0	482.0	625.0	-
700	1000	20.0	17.0	170	130	1000	518.0	518.0	519.0	672.0	-
800	800	20.0	18.0	170	140	1010	564.0	563.0	563.0	735.0	-
900	900	20.0	19.0	170	150	1020	618.0	617.0	611.0	793.0	-
1100	700	21.0	17.0	180	130	1110	619.0	619.0	623.0	784.0	-
800	1100	21.0	18.0	180	140	1120	667.0	666.0	669.0	849.0	-
900	900	21.0	19.0	180	150	1130	722.0	721.0	718.0	909.0	-
1000	1000	21.0	20.0	180	170	1150	785.0	782.0	783.0	1010.0	-
1200	800	22.0	18.0	190	140	1130	743.0	742.0	755.0	954.0	-
900	1200	22.0	19.0	190	150	1140	795.0	794.0	801.0	1010.0	-
1000	1000	22.0	20.0	190	170	1160	854.0	851.0	862.0	1100.0	-
1100	1100	22.0	21.0	190	180	1170	920.0	916.0	931.0	1180.0	-
1350	900	24.0	19.0	210	150	1160	947.0	946.0	954.0	1200.0	-
1000	1350	24.0	20.0	210	170	1180	999.0	997.0	1010.0	1290.0	-
1100	1100	24.0	21.0	210	180	1190	1060.0	1050.0	1070.0	1360.0	-
1200	1200	24.0	22.0	210	190	1200	1130.0	1120.0	1150.0	1460.0	-
1500	1000	26.0	21.0	230	170	1200	1180.0	1180.0	1200.0	1520.0	-
1100	1500	26.0	21.0	230	180	1210	1220.0	1220.0	1240.0	1570.0	-
1200	1200	26.0	22.0	230	190	1220	1280.0	1280.0	1310.0	1660.0	-
1350	1350	26.0	24.0	230	210	1240	1410.0	1400.0	1440.0	1830.0	-

備考：附圖係表型式 2。